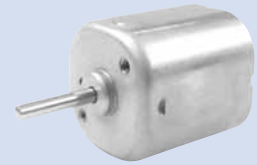


SE18J (□ 18.2 x 20mm)

Metal Brush

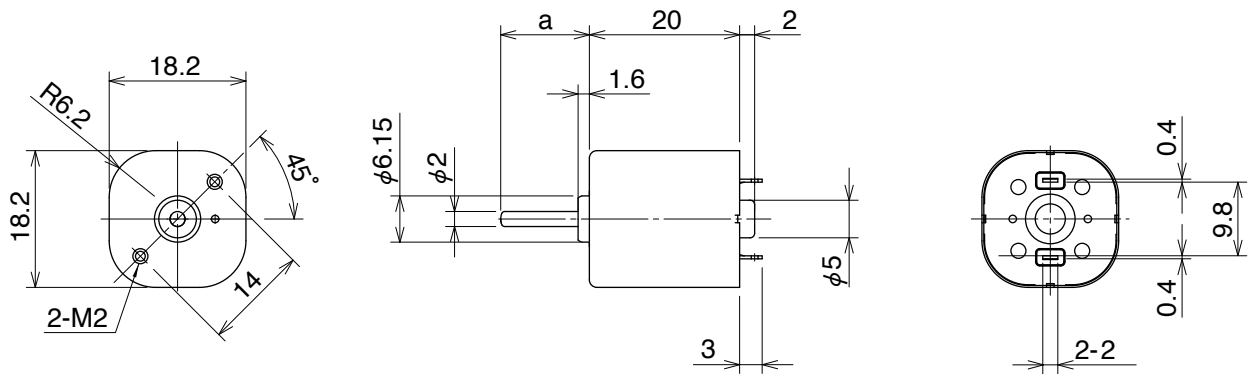


Weight:23.3g

Applications

Automotive, Door Lock, Amusement

External Dimensions



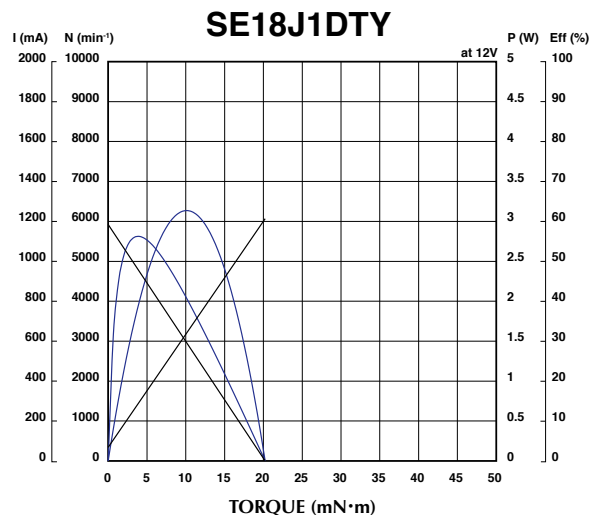
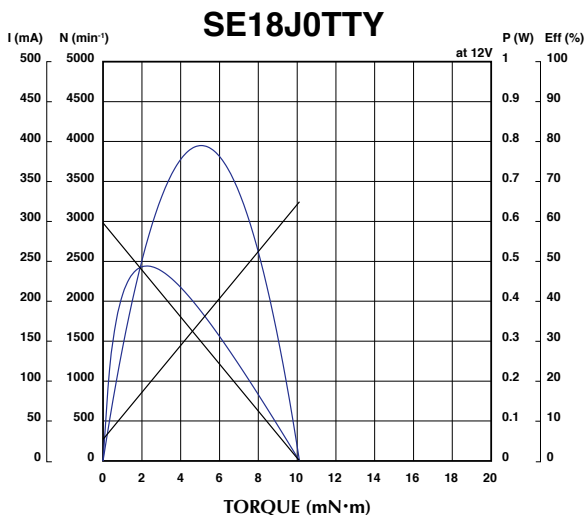
a=12.8mm

Unit: mm

Reference Characteristics

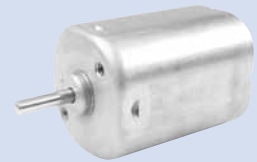
Model	Voltage		No Load		Rated Load		Rated Load		Starting Torque		Starting Current	Shaft Length
	Operating	Rated	Speed	Current			Speed	Current				
	(V)	(V)	(min ⁻¹)	(mA)	(gf·cm)	(mN·m)	(min ⁻¹)	(mA)	(gf·cm)	(mN·m)	(mA)	(mm)
SE18J0TTY	8 to 13	12	2985	27	30.6	3	2099	115	103	10.1	325	12.8
SE18J1DTY	8 to 13	12	5930	68	40.8	4	4756	295	206	20.2	1215	12.8

Characteristics



SE18K (□ 18.2 x 25mm)

Metal Brush

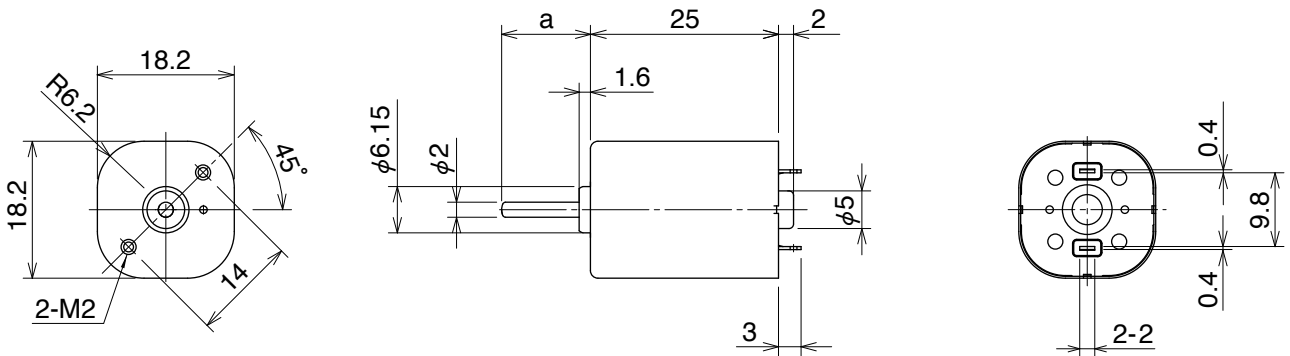


Weight:31.7g

Applications

Scanner, Air Conditioning

External Dimensions



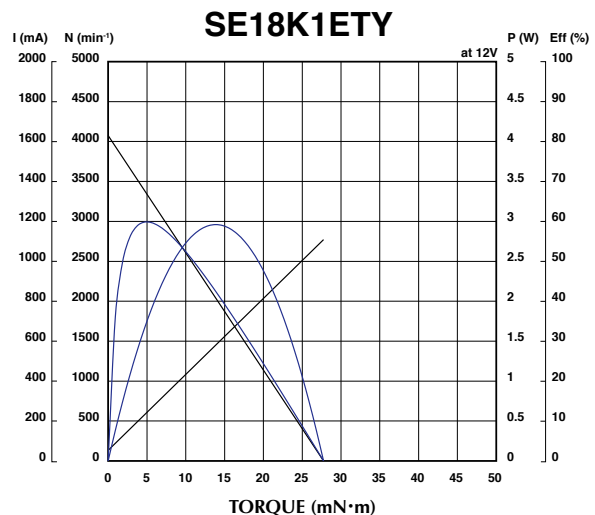
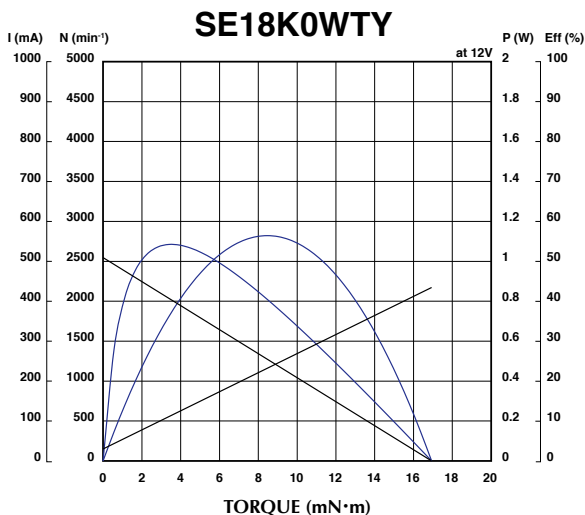
a=9.9mm

Unit: mm

Reference Characteristics

Model	Voltage		No Load		Rated Load		Rated Load		Starting Torque		Starting Current (mA)	Shaft Length (mm)
	Operating (V)	Rated (V)	Speed (min ⁻¹)	Current (mA)			Speed (min ⁻¹)	Current (mA)				
	SE18K0WTY	8 to 13	12	2550	30	30.6 (gf·cm)	3 (mN·m)	2098	102	173 (gf·cm)		
SE18K1ETY	8 to 13	12	4080	53	51 (gf·cm)	5 (mN·m)	3344	244	283 (gf·cm)	27.7 (mN·m)	1110	9.9

Characteristics



SE18M (□ 18.2 x 30mm)

Metal Brush

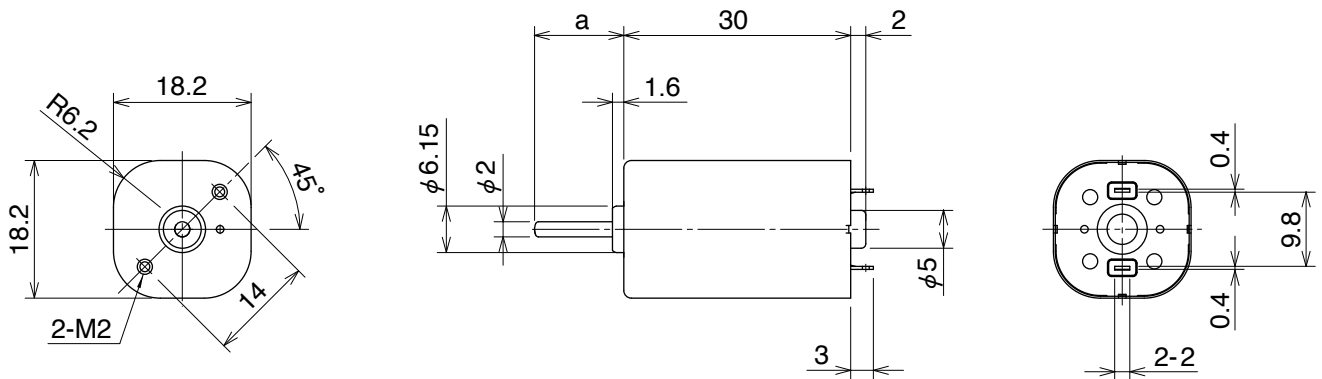


Weight:40.2g

Applications

Robot

External Dimensions



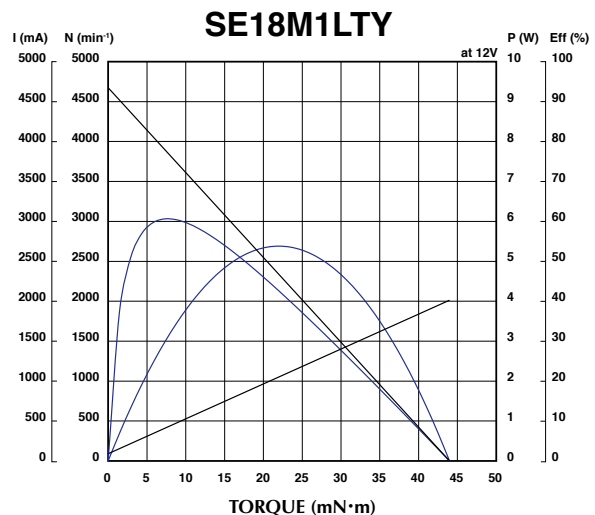
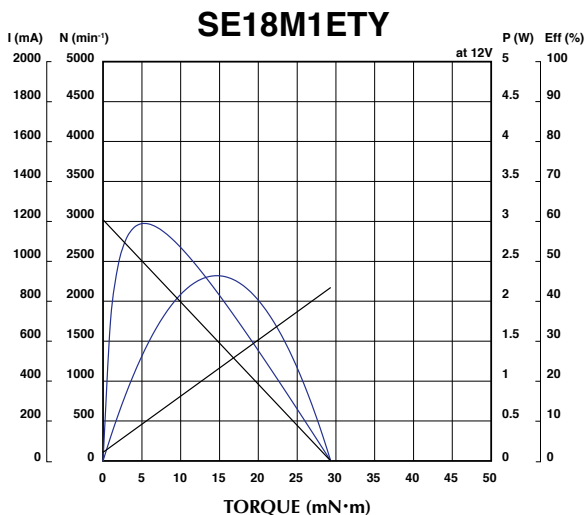
a=11.7mm

Unit: mm

Reference Characteristics

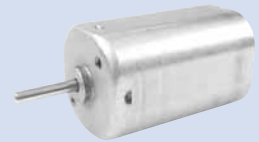
Model	Voltage		No Load		Rated Load		Rated Load		Starting Torque		Starting Current (mA)	Shaft Length (mm)
	Operating (V)	Rated (V)	Speed (min ⁻¹)	Current (mA)			Speed (min ⁻¹)	Current (mA)				
	(V)	(V)	(min ⁻¹)	(mA)	(gf·cm)	(mN·m)	(min ⁻¹)	(mA)	(gf·cm)	(mN·m)		
SE18M1ETY	8 to 13	12	3025	43	51	5	2509	184	299	29.3	870	11.7
SE18M1LTY	8 to 13	12	4680	90	71.4	7	3934	397	448	43.9	2015	11.7

Characteristics



SR18M (□ 18.2 x 30mm)

Carbon Brush

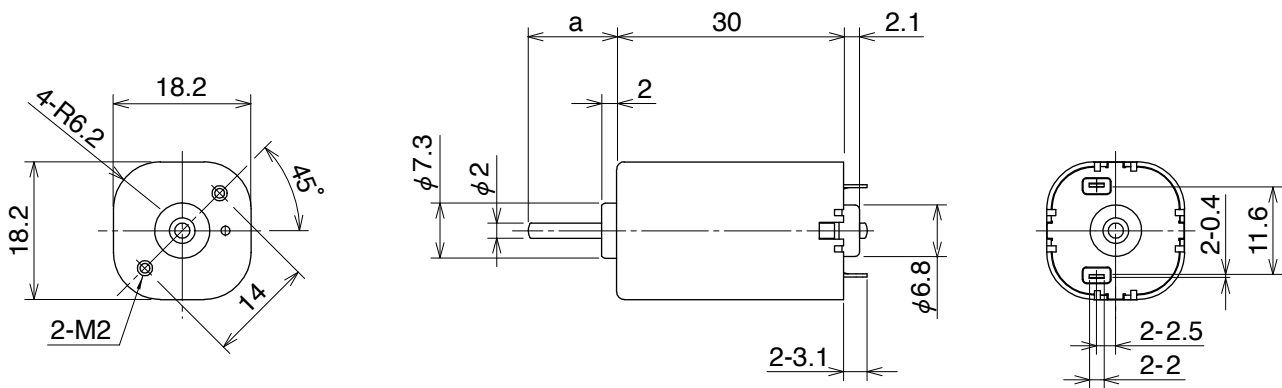


Weight:37.0g

Applications

Automotive

External Dimensions



a=11.7mm

Unit: mm

Reference Characteristics

Model	Voltage		No Load		Rated Load		Rated Load		Starting Torque		Starting Current (mA)	Shaft Length (mm)
	Operating (V)	Rated (V)	Speed (min ⁻¹)	Current (mA)			Speed (min ⁻¹)	Current (mA)				
	(V)	(V)	(min ⁻¹)	(mA)	(gf·cm)	(mN·m)	(min ⁻¹)	(mA)	(gf·cm)	(mN·m)		
SR18M1LTC	8 to 13	12	5000	104	102	10	3630	550	377	37	1730	11.7
SR18M1TTC	8 to 13	12	7472	119	102	10	5950	850	501	49.2	3730	11.7

Characteristics

